

# ECOSOFT STANDARD DRINKING WATER REVERSE OSMOSIS SYSTEM



**Application:** apartments and private houses.

**Description:** reverse osmosis system.

**Filtration technology:**

- Sediment PP 5 micron filter
- GAC activated carbon filter
- Sediment PP 1 micron filter
- RO membrane
- Coconut shell carbon filter

**Key features:**

1. Best design of the product and packing.
2. System components are made of high-quality materials that are safe for drinking water, including European food grade polypropylene made by Rompetrol (Romania).
3. Delicious water due to Ecosoft membranes and high quality activated carbon filters.
4. Manufacturer assurance – all the systems are tested and approved for use.
5. CE marked and confirmed to be safe in accordance with EC New Approach Directives.

**Specifications:**

Code	Flow capacity, L/day	Inlet pressure, bar	Connections	Storage tank volume, L	Dimensions, H x W x D, mm
MO550ECOEXP MO550ECOEXPA*	190	3 -5	1/2"	9	350 x 450 x 150

\* A – Modern faucet

**Components:**

- Water purification system
- Set of pre-filter cartridges
- RO membrane
- Drinking water faucet
- Plastic pressure tank and tank valve
- Feed water adapter, feed valve, drain saddle
- Service wrench
- Instruction manual

# ECOSOFT REVERSE OSMOSIS SYSTEM

Osmosis is a natural process that occurs in every living organism. Domestic reverse osmosis systems harness the efficiency and natural ingenuity of reverse osmosis technology.

This Ecosoft filter contains a Filmtec membrane produced by Dow Water and Process Solutions. Over 200 000 000 Litres of water is purified by Filmtec membranes throughout the world in just one day.

Three Ecosoft pre-filters remove a range of noxious impurities from water supplied to the RO membrane. This helps to protect the membrane and ensure a long life of your personal drinking water source.

## Healthy living with purified water

Enjoy immediate availability of crystal pure water with straightforward installation and minimum maintenance

## Trust your water needs to Ecosoft reverse osmosis filter:

Drinking, making beverages, cooking tasty and healthy, icemaking and stain-free ironing is at your fingertips. So is water free of pollutants, salts and microorganisms.



## Typical rejection rates of common drinking water contaminants\*

Contaminant	Rejection Range*
Sodium	87-93%
Calcium	80-97%
Magnesium	80-98%
Iron	90-98%
Cadmium	96-98%
Lead	96-98%
Nitrate	83-92%
Organic Halides	83-92%
Trihalomethanes	65-99%
Chlorine	13-91%
Total dissolved solids	95-99%

\*Range of percentages of each contaminant removed



up to  
**99,8**  
efficiency, %

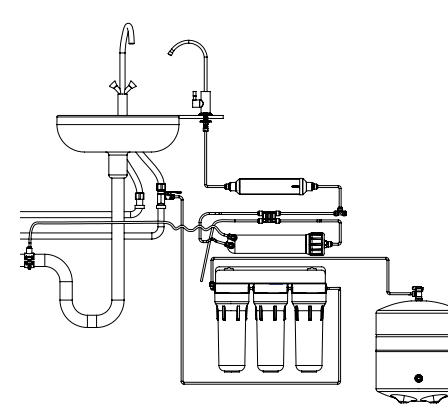
Member,  
Water Quality  
Association

ISO  
9001 - 2009  
Certified quality  
management system

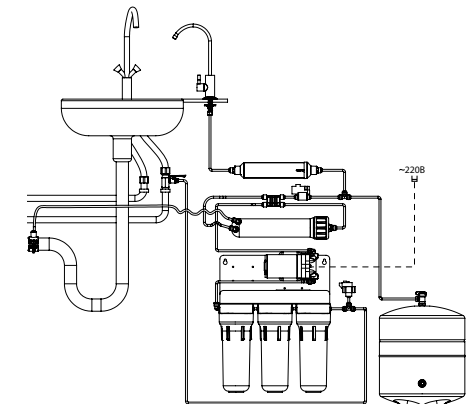
## Reverse osmosis drinking water filter Ecosoft RO 5-50

- Water purification to international standards
- Reduction of mineral and organic impurities
- Removal of virus and bacteria

Model range	RO 5-50	RO 5-50 P
Number of treatment stages	5	
Main pressure	3...6 bar 40...90 psi	0,5...6 bar 7...90 psi
Capacity	190 litre per day 50 gallon per day	
Pre-filters	Melt-blown polypropylene cartridge, extruded activated carbon block cartridge	
Post-filter	Coconut shell granular activated carbon	



RO 5-50



RO 5-50 P

- Easy installation
- Robust design
- Continuous support

Ecosoft is an European producer of equipment and materials for water treatment. Ecosoft delivers professional solutions for problem water. Key priorities of its product design are maximum durability and top notch quality of product water throughout the duration of filter's life. To achieve this, Ecosoft only uses most developed technologies and best materials from top vendors.



Ecosoft Water Systems GmbH  
[www.ecosoft.ws](http://www.ecosoft.ws)

